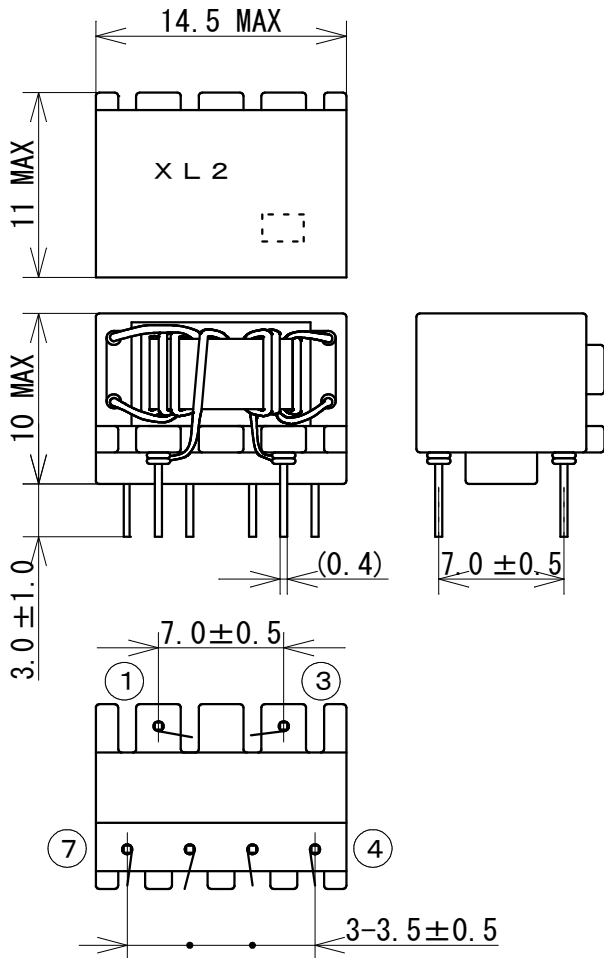


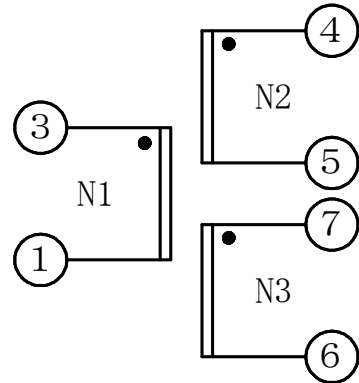
PSB52XL2

Power line Communication Coupling Transformer
For High-Bit-Rate Applications.

MECHANICAL DIMENSIONS



SCHEMATIC



Turns Ratio
 $N1 : N2 : N3 = 1 : 1 : 1$

Creepage distance : 5.2mm
Working Voltage Urms = 240V
Overvoltage category : III
Pollution degree : II
Insulation material group : IIIb

※Precautions for use

For transformers that have been manufactured for more than 6 months, please check the solder wettability of the terminals before use.

ELECTRICAL SPECIFICATIONS

Parameter	Pins Under Test	Test Conditions	STD TOLERANCE
Breakdown Voltage	3 : 7, 6	Vac 3000Vrms 2sec	
Inductance	3 - 1	10kHz 0.1V	$\geq 12.0\mu\text{H}$
Leakage Inductance	3 - 1 (4-5 SHORT)	1MHz 0.1V	$\leq 0.2\mu\text{H}$
DC RESISTANCE	3 - 1	T = 25°C	$\leq 0.1\Omega$