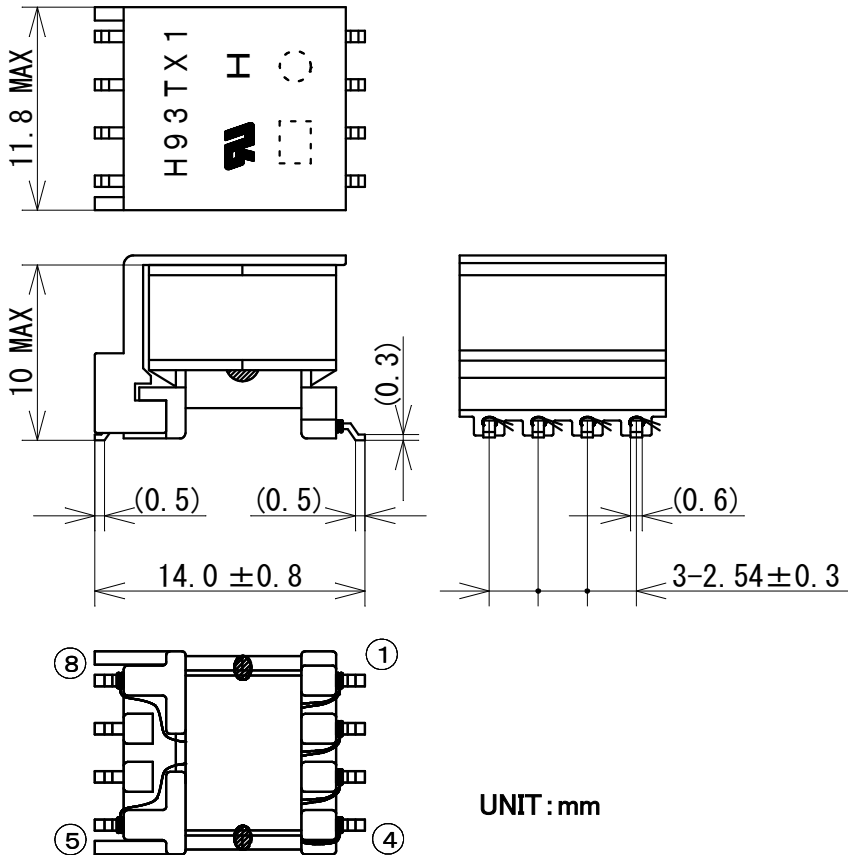


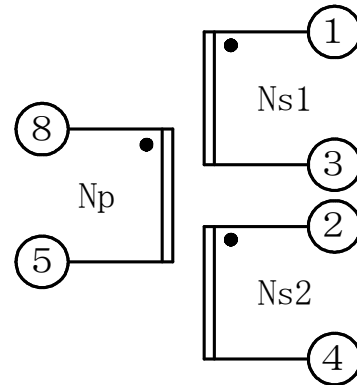
## H93TX1

Reinforced Insulation  
 Power line Communication Coupling  
 Transformer For CENELEC A,B, FCC,ARIB.

### MECHANICAL DIMENSIONS



### SCHEMATIC



Turns Ratio  
 $N_p : N_{s1} + N_{s2} = 1 : 1$

UL File No. : E117865  
 Creepage distance : 5.2mm  
 (4.0mm-Insulation material group I)  
 Working Voltage  $U_{rms} = 240V$   
 Overvoltage category : III  
 Pollution degree : II  
 Insulation material group : I, IIIb

### ※Precautions for use

For transformers that have been manufactured for more than 6 months, please check the solder wettability of the terminals before use.

### ELECTRICAL SPECIFICATIONS

Parameter	Pins Under Test	Test Conditions	STD TOLERANCE
Breakdown Voltage	1 : 8	Vac 3600Vrms 2sec	
Inductance	8 - 5	10kHz 0.1V	$\geq 600\mu H$
Leakage Inductance	8 - 5 (1-3,2-4 SHORT)	1MHz 0.1V	$\leq 1.0\mu H$
Interwinding Capacitance	1 - 8 (2-3 SHORT)	10kHz 0.1V	$\leq 40pF$
DC Resistance	1 - 4 (2-3 SHORT)	T = 25°C	$\leq 0.32 \Omega$
	8 - 5		$\leq 0.40 \Omega$